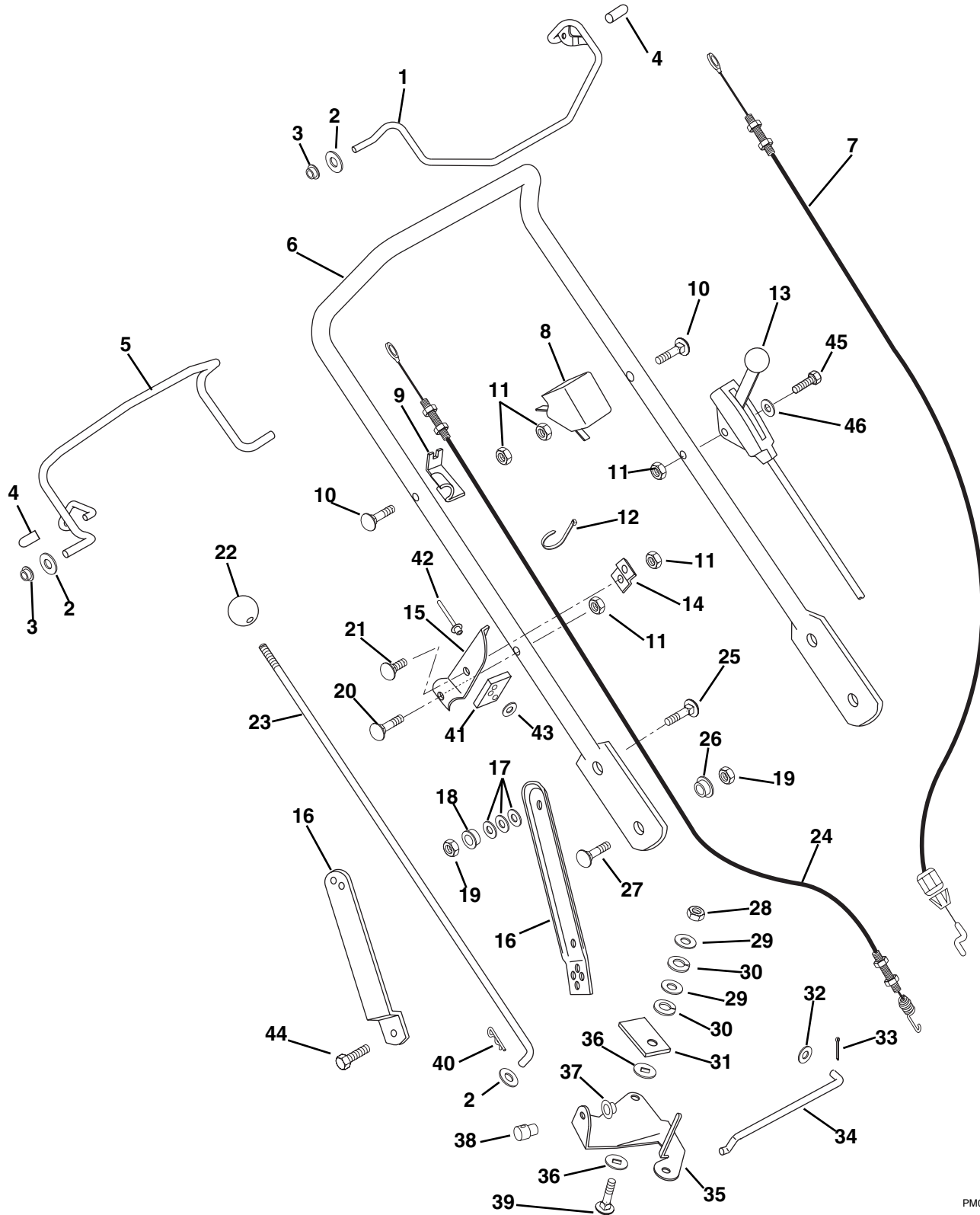


HANDLEBAR AND CONTROLS

Model 580 RS, 580 RSE, 580 RSW, 600 C



PM0024

Item	Part No.	Qty.	Description
1	606 00 00 30	1	Engine Bail Weldment
2	606 00 00 45	7	Washer-Flat-Steel .325 x .688 x .065
3	606 00 00 34	4	Bushing-Flange .325 x .688 x .560

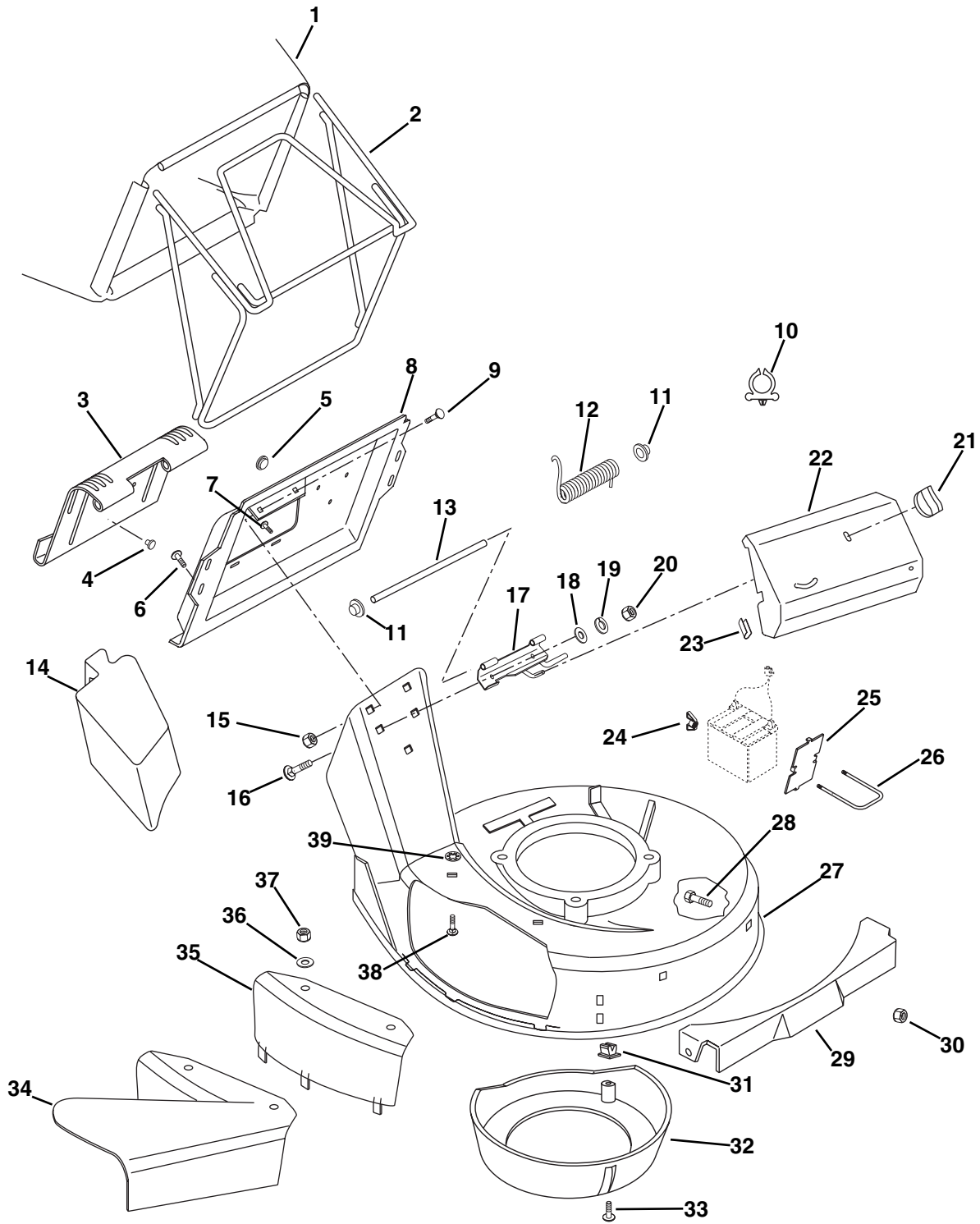
HANDLEBAR AND CONTROLS

Model 580 RS, 580 RSE, 580 RSW, 600 C

Item	Part No.	Qty.	Description
4	606 00 00 60	2	Cap, Vinyl .25 I.D.
5	606 00 00 29	1	Traction Bail
6	606 00 00 31	1	Handlebar, Self Propelled
7	606 00 00 56	1	Engine Control Cable (580 RS, 580 RSE, 580 RSW)
	606 00 00 57	1	Engine Control Cable (600 C)
8	606 00 00 26	1	Switch-Cable Anchor (580 RSE)
9	606 00 00 19	1	Cable Anchor-Right Hand
	606 00 02 72	1	Cable Anchor-Left Hand
10	606 00 00 39	2	Bolt-Round Head Square Neck .25-20 x 1.25
11	606 00 00 49	5	Nut-Locking-Center .25-20
12	606 00 00 61	3	Cable Tie
13	606 00 00 58	1	Throttle Cable (600 C)
14	606 00 00 22	1	Brace-Speed Control
15	606 00 00 18	1	Bracket-Speed Control
16	606 00 00 23	1	Link-Handlebar Adjuster Left Hand (580 RS, 580 RSE, 580 RSW)
	606 00 00 24	1	Link-Handlebar Adjuster Right Hand (580 RS, 580 RSE, 580 RSW)
	606 00 00 27	2	Handlebar Bracket (600 C)
17	606 00 00 32	6	Washer-Bellville Spring (580 RS, 580 RSE, 580 RSW)
18	606 00 00 35	2	Bushing-Flange .325 x .500 x .513 x .875 (580 RS, 580 RSE, 580 RSW)
19	606 00 00 50	4	Nut-Locking-Center .31-18
20	606 00 00 42	1	Bolt-Round Head Square Neck .25-20 x 1.38
21	606 00 00 40	1	Bolt-Round Head Square Neck .25-20 x .50 Grade 5
22	606 00 00 59	1	Knob
23	606 00 00 21	1	Rod-Speed Control
24	606 00 00 55	1	Traction Cable
25	606 00 00 38	2	Bolt-Round Head Square Neck .31-18 x 1.00 Grade 5
26	606 00 00 33	2	Shoulder Spacer
27	606 00 00 37	2	Bolt-Round Head Square Neck .31-18 x .75 Grade 5 (580 RS, 580 RSE, 580 RSW)
	606 00 00 38	4	Bolt-Round Head Square Neck .31-18 x .75 Grade 5 (600 C)
28	606 00 00 48	1	Nut-Locking-Center .38-16
29	606 00 00 44	2	Washer-Flat-Steel .406 x .812 x .065
30	606 00 02 74	2	Washer-Lock .375 x .115 Heavy
31	606 00 00 25	1	Pressure Flange
32	606 00 00 46	1	Washer-Flat-Steel .281 x .620 x .065
33	606 00 00 51	1	Pin-Cotter .06 x .50
34	606 00 00 17	1	Shift Link
35	606 00 00 16	1	Bell Crank-Speed Control
36	606 00 00 15	2	Friction Washer
37	606 00 00 14	1	Cap, Rod .375
38	606 00 00 20	1	Swivel
39	606 00 00 41	1	Bolt-Round Head Square Neck .38-16 x 1.50
40	606 00 00 52	1	Pin-Hair-Internal .08 x .18 x 1.18
41	606 00 00 28	1	Support Pad
42	606 00 00 53	2	Rivet .187 x .575
43	606 00 00 47	2	Washer-Flat Steel .219 x .50 x .049
44	606 00 00 36	2	Bolt-Hex .31-18 x .75 Grade 5 (600 C)
45	606 00 02 76	1	Bolt-Hex .25-20 x 1.75 Grade 5 (600 C)
46	606 00 02 75	1	Washer-Flat-Steel .250 x .562 x .049 (600 C)

MOWER PAN AND BAG

Model 580 RS, 580 RSE, 580 RSW, 600 C



PM0032

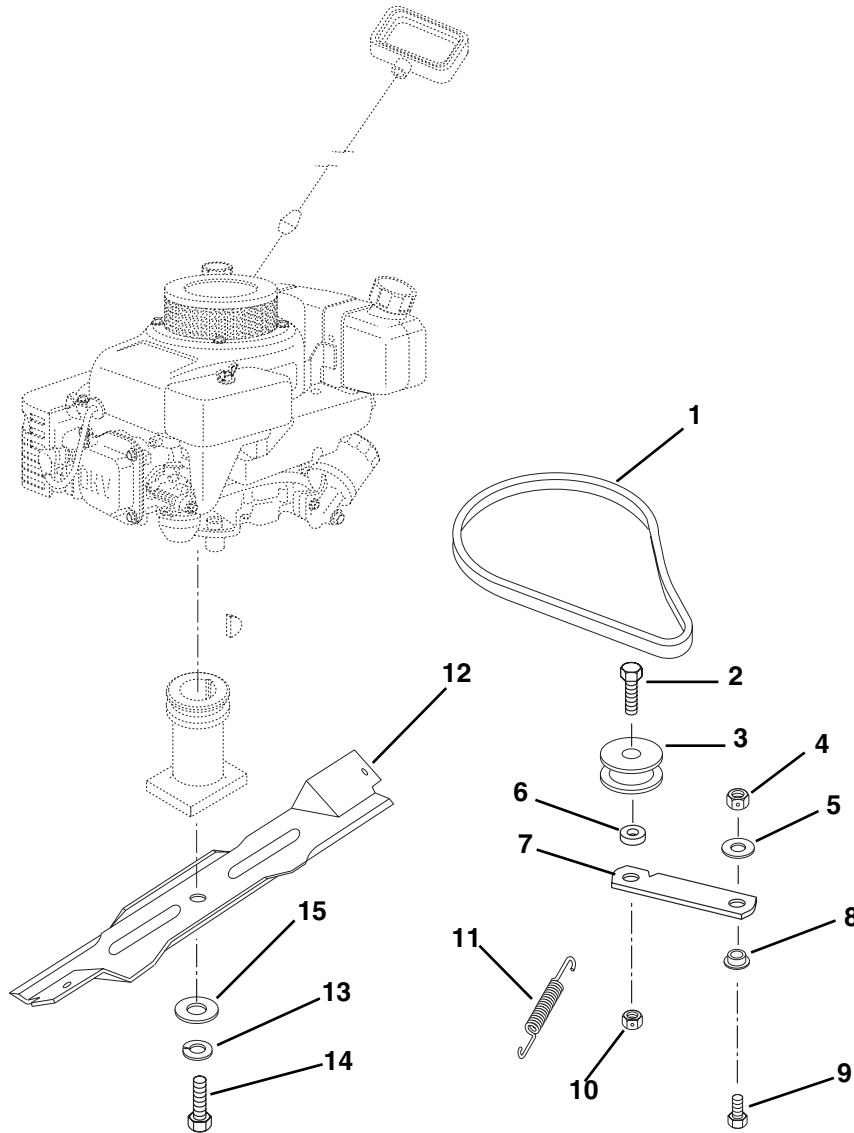
MOWER PAN AND BAG

Model 580 RS, 580 RSE, 580 RSW, 600 C

Item	Part No.	Qty.	Description
1	606 00 00 76	1	Bag-Consumer Black
2	606 00 00 63	1	Bagger Frame
3	606 00 00 62	1	Door-Catcher Plate
4	606 00 00 97	1	Button Bumper
5	606 00 00 96	2	Bumper
6	606 00 00 92	4	Screw-Tapping 12-24 x .50 Hex Washer Head (580 RSW, 600 C)
7	606 00 00 93	2	Screw-Tapping 10-24 x .375 Hex Washer Head (580 RSW, 600 C)
8	606 00 00 70	1	Plate-Catcher
9	606 00 00 79	2	Bolt-Round Head Square Neck .25-20 x .38
10	606 00 00 71	1	Snap-in Clip (580 RSE)
11	606 00 00 78	2	Nut-Push
12	606 00 00 98	1	Spring-Torsion .120 x .68 x 3.09
13	606 00 00 64	1	Pin-Door
14	606 00 01 00	1	Mulch Master Mulcher Accessory
15	606 00 00 88	2	Nut-Locking-Flange .25-20
16	606 00 00 81	2	Bolt-Round Head Square Neck .25-20 x .75 Grade 5
17	606 00 00 67	1	Hinge Base Weldment
18	606 00 00 85	1	Washer-Flat-Steel .328 x .87 x .179
19	606 00 00 83	2	Washer-Locking .25 x .077
20	606 00 00 90	2	Nut-Hex .25-20
21	606 00 00 69	1	Nut-Wing
22	606 00 00 68	1	Drive Cover
23	606 00 00 66	2	Trim Bumper
24	606 00 00 91	2	Nut-Wing #8-32
25	606 00 00 73	1	Battery Plate (580 RSE)
26	606 00 00 74	1	U-Bolt (580 RSE)
27	606 00 00 99	1	Mower Pan Head w/ Decals
28	606 00 00 82	2	Bolt-Round Head Square Neck .31-18 x .50 Grade 5 (580 RS, 580 RSE, 580 RSW)
29	606 00 00 65	1	Front Panel (580 RS, 580 RSE, 580 RSW)
30	606 00 00 50	2	Nut-Locking-Center .31-18 (580 RS, 580 RSE, 580 RSW)
31	606 00 00 95	3	Grommet-Plastic
32	606 00 00 72	1	Baffle-Center
33	606 00 00 94	3	Screw-Tapping 10-16 x .62 Hex Washer Head
34	606 00 00 77	1	Side Discharge Assembly
35	606 00 00 75	1	Side Discharge Cover
36	606 00 00 44	2	Washer-Flat-Steel .406 x .812 x .065
37	606 00 00 89	2	Nut-Locking-Nylon .312-18
38	606 00 00 80	2	Bolt-Round Head Square Neck .31-18 x .75 Grade 2
39	606 00 00 86	2	Nut-Push .312

BLADE AND BELT

Model 580 RS, 580 RSE, 580 RSW, 600 C

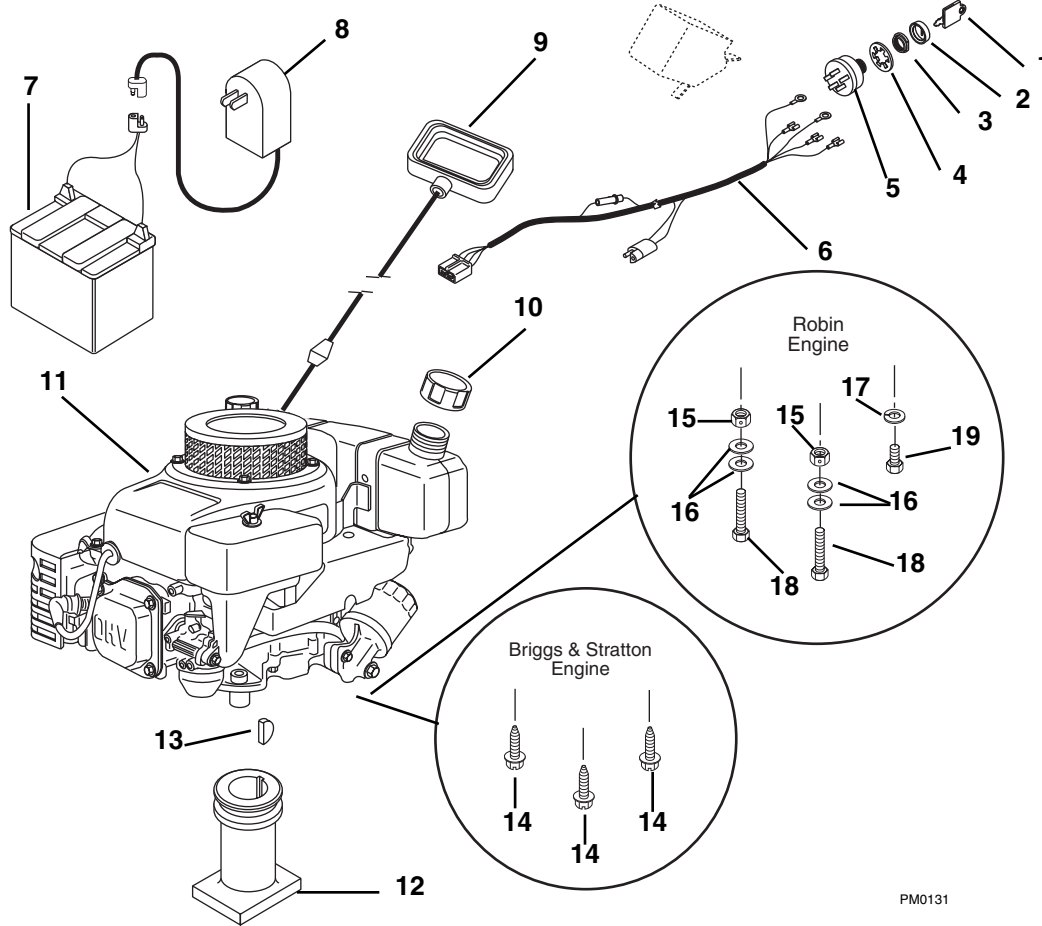


PM0140

Item	Part No.	Qty.	Description
1	606 00 02 26	1	V-Belt 3L Section
2	606 00 02 20	1	Bolt-Hex .44-14 x 1.25 Grade 5
3	606 00 02 27	1	Idler-Flat 1.75 x .47
4	606 00 00 50	1	Nut-Locking-Center .31 -18
5	606 00 02 22	1	Washer-Flat-Steel .323 x .625 x .062
6	606 00 02 16	1	Spacer .52 x .45 x .34
7	606 00 02 15	1	Idler Arm
8	606 00 02 17	1	Bushing-Flange .325 x .501 x .250 x 1.120
9	606 00 00 36	1	Bolt-Hex .31-18 x .75 Grade 5
10	606 00 02 25	1	Nut-Locking-Center .44-14
11	606 00 02 28	1	Spring, Tension .043 x .44 x 3.31
12	606 00 00 03	1	Blade, 21" Mower
13	606 00 00 43	1	Washer-Locking .38 x .094
14	606 00 02 19	1	Bolt-Hex .38-24 x 2.00
15	606 00 02 23	1	Washer-Flat Steel .390 x 1.50 x .125 (600 C)

ENGINE AND ELECTRICAL

Model 580 RS, 580 RSE, 580 RSW, 600 C



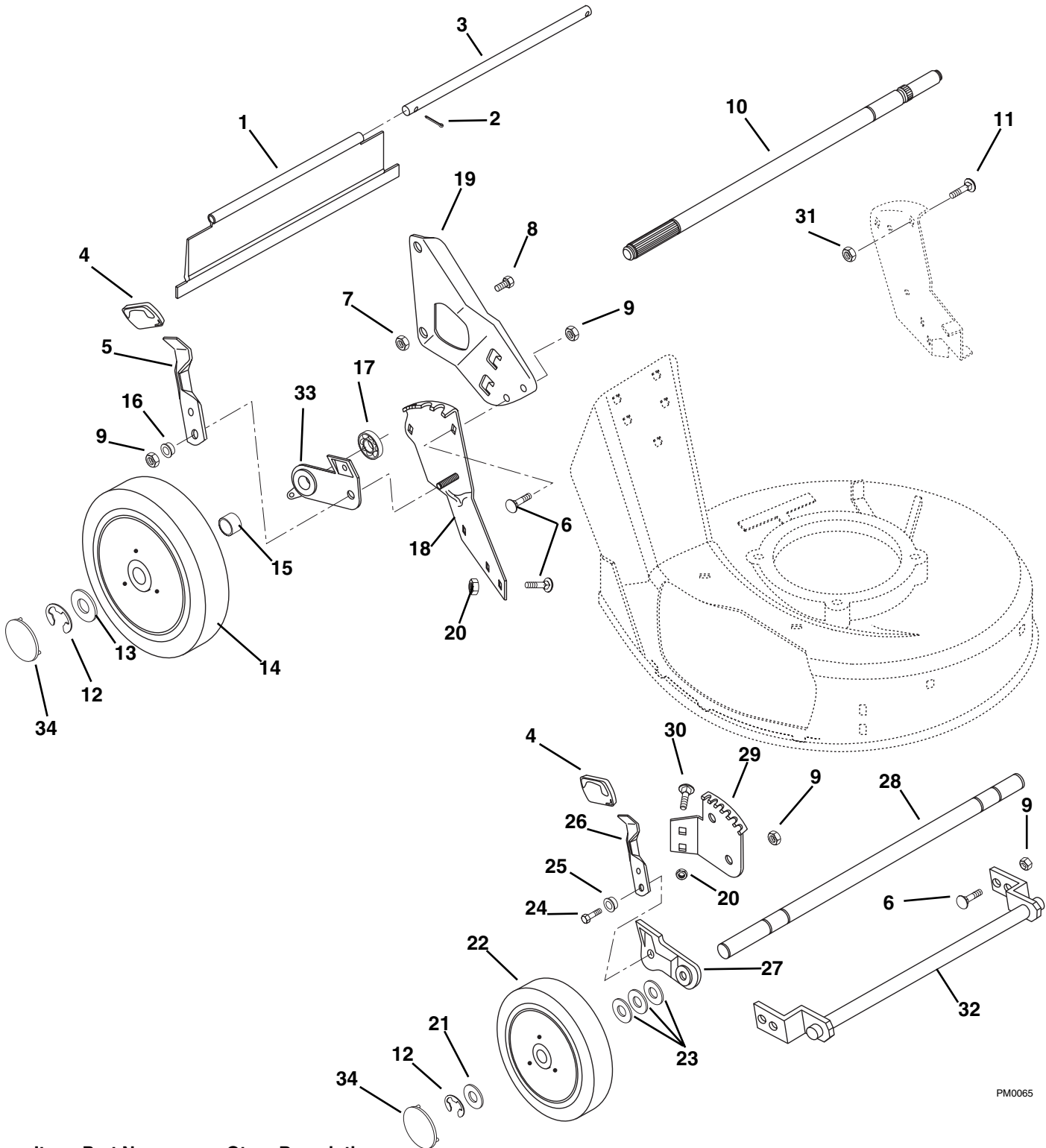
PM0131

Item	Part No.	Qty.	Description
1	606 00 02 36	1	Key w/Cap (580 RSE)
2	606 00 02 47	1	Cap-Ignition Switch (580 RSE)
3	606 00 02 42	1	Nut, Panel .625-32 (580 RSE)
4	606 00 02 39	1	Washer-Locking Internal .625 x .045 (580 RSE)
5	606 00 02 31	1	Key Switch (580 RSE)
6	606 00 02 35	1	Wire Harness (580 RSE)
7	606 00 02 34	1	Battery (580 RSE)
8	606 00 02 30	AR	Battery Charger (580 RSE) (Not included with unit)
9	606 00 02 32	1	Recoil Start Handle
10	606 00 02 46	1	Fuel Cap
11*		1	Engine, Robin 6 HP 4 Cycle (600 C)
		1	Engine, Briggs & Stratton Intek OHV 6.5HP Recoil (580 RS, 580 RSW)
		1	Engine, Briggs & Stratton Intek OHV 6.5HP Electric Start (580 RSE)
12	606 00 02 33	1	Blade Adapter .875 Dia w/Keyway (580 RS, RSE, RSW)
	606 00 02 29	1	Blade Adapter (600 C)
13	606 00 02 44	1	Key-Woodruff .156 x .625 x .25
14	606 00 02 45	3	Screw-Tapping .38-16 x 1.00 Hex Washer Head
15	606 00 00 50	2	Nut-Locking-Center .31-18(600 C)
16	606 00 02 41	4	Washer-Flat-Steel .312 x .734 x .065 (600 C)
17	606 00 01 99	1	Washer-Locking .312 x .097 Heavy
18	606 00 02 38	2	Bolt-Hex .31-18 x 1.25 Grade 5 (600 C)
19	606 00 00 36	1	Bolt-Hex .31-18 x .75 Grade 5 (600 C)

*See your Dealer for Engine Specifications

WHEELS AND ADJUSTERS

Model 580 RS, 580 RSE, 580 RSW, 600 C



PM0065

Item	Part No.	Qty.	Description
1	606 00 01 42	1	Rear Protective Guard, Self Propelled
2	606 00 00 51	3	Pin-Cotter .06 x .50
3	606 00 01 08	1	Rod
4	606 00 01 41	4	Knob

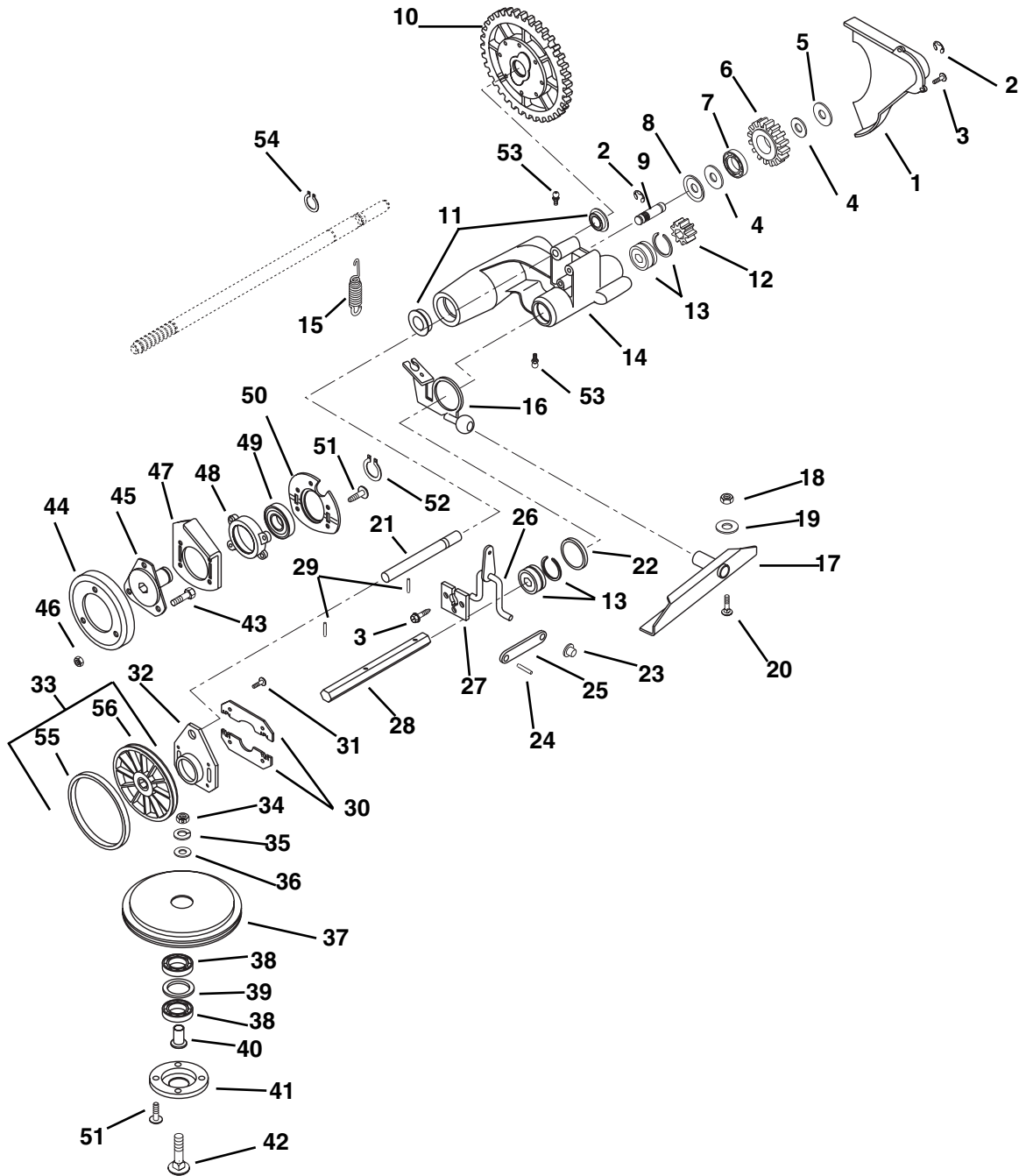
WHEELS AND ADJUSTERS

Model 580 RS, 580 RSE, 580 RSW, 600 C

Item	Part No.	Qty.	Description
5	606 00 01 04	2	Height Adjustment Lever
6	606 00 01 27	12	Bolt-Round Head Square Short Neck .31-18 x .62
7	606 00 00 48	2	Nut-Locking-Center .38-16
8	606 00 01 19	2	Handlebar Stud
9	606 00 00 50	12	Nut-Locking-Center .31-18
10	606 00 01 09	1	Rear Axle
11	606 00 01 28	1	Bolt-Round Head Square Short Neck .31-18 x 1.00
12	606 00 01 25	4	Ring-Retaining-External .500 x .042
13	606 00 01 30	2	Washer-Flat-Steel .505 x .880 x .072
14	606 00 02 78	1	Left Hand WheelRear
	606 00 02 79	1	Right Hand WheelRear
15	606 00 01 10	2	Spacer Tube
16	606 00 01 23	2	Bushing-Flange .312 x .500 x .344 x .880
17	606 00 01 22	1	Bearing-Ball .625 x 1.383 x .50 (600 C)
18	606 00 01 14	1	Rear Quadrant-Left Hand
	606 00 01 15	1	Rear Quadrant-Right Hand
19	606 00 01 07	1	Bracket-Handlebar Mounting-Right Hand
	606 00 01 06	1	Bracket-Handlebar Mounting-Left Hand
20	606 00 01 36	10	Nut-Locking-Flanged .31-18
21	606 00 01 30	2	Washer-Flat-Steel .505 x .880 x .072
22	606 00 02 77	2	Wheel-Front
23	606 00 01 32	6	Washer-Flat-Steel .520 x .827 x .062 (580 RS, 580 RSE, 580 RSW)
24	606 00 01 26	2	Bolt-Hex .31-18 x 1.00 Grade 5 (580 RS, 580 RSE, 580 RSW)
25	606 00 01 23	2	Bushing-Flange .312 x .500 x .344 x .880
26	606 00 01 03	2	Lever, Front Height Adjustment (580 RS, 580 RSE, 580 RSW)
27	606 00 01 01	1	Left Hand Bracket Assembly (580 RS, 580 RSE, 580 RSW)
	606 00 01 02	1	Right Hand Bracket Assembly (580 RS,RSE, RSW)
28	606 00 01 20	1	Front Axle (580 RS, 580 RSE, 580 RSW)
29	606 00 01 12	1	Front Quadrant, Left Hand (580 RS, 580 RSE, 580 RSW)
	606 00 01 13	1	Front Quadrant, Right Hand (580 RS,RSE, RSW)
30	606 00 00 82	4	Bolt-Round Head Square Neck .31-18 x .50 Grade 5 (580 RS, 580 RSE, 580 RSW)
31	606 00 00 89	1	Nut-Locking-Nylon .31-18
32	606 00 01 16	1	De-Thatcher Retainer Weldment (600 C)
33	606 00 01 17	1	Rear Adjuster Bracket-Right Hand (600 C)
	606 00 01 05	1	Rear Adjuster Bracket-Left Hand (580 RS, 580 RSE, 580 RSW, 600 C)
	606 00 01 11	1	Rear Bracket and Bearing Assembly (580 RS, 580 RSE, 580 RSW)
34	532 00 85-08	4	Hubcap (Qty. 4 on 580 RS, 580 RSE, 600 C - Qty. 2 on 580 RSW)

FRICTION WHEEL AND ADJUSTERS

Model 580 RS, 580 RSE, 580 RSW, 600 C



PM0080

Item	Part No.	Qty.	Description
1	606 00 01 59	1	Gear Cover
2	606 00 01 90	2	Ring-Retaining-External ,438 x .035
3	606 00 00 92	6	Screw-Tapping 12-24 x .50 Hex Washer Head
4	606 00 01 32	2	Washer - Flat - Steel .520 x.875 x .062
5	606 00 02 01	1	Washer - Flat - Steel .531 x 1.00 x .063
6	606 00 01 68	1	Idler Gear
7*	606 00 01 84	1	Bearing - Ball .50 x 1.38 x .437
8	606 00 01 72	1	Retainer
9	606 00 01 74	1	Idler Shaft
10	606 00 02 13	1	Differential Assembly

F R I C T I O N W H E E L A N D A D J U S T E R S

Model 580 RS, 580 RSE, 580 RSW, 600 C

Item	Part No.	Qty.	Description
11*	606 00 01 22	2	Bearing-Ball .625 x 1.383 x .50 (600 C)
12	606 00 01 81	1	Gear-Pinion
13	606 00 01 85	2	Bearing - Ball .562 x 1.375 x .437 (600 C)
14	606 00 01 75	1	Drive Mount
15	606 00 02 12	1	Spring-Tension .051 x .60 x 2.25
16	606 00 01 73	1	Drive Actuator Weldment
17	606 00 01 80	1	Pivot Channel Weldment
18	606 00 00 50	2	Nut-Locking-Center .31-18
19	606 00 00 45	2	Washer-Flat-Steel .344 x .688 x .065
20	606 00 01 27	2	Bolt-Round Head Square Short Neck .312-18 x .62
21	606 00 01 63	1	Rod-Guide
22	606 00 01 98	1	Washer - Flat - Steel 1.390 x 2.00 x .020
23	606 00 00 78	2	Push Nut .25
24	606 00 01 93	2	Pin-Roll .125 x .50 (580 RS, 580 RSE, 580 RSW)
	606 00 01 94	2	Pin-Roll .125 x .63 (600 C)
25	606 00 01 61	2	Shift Link
26	606 00 01 60	1	Shift Arm Weldment
27	606 00 01 62	1	Retainer Plate
28	606 00 01 64	1	Hex Shaft
29	606 00 01 92	2	Pin - Roll .188 x .88
30	606 00 01 77	2	Thrust Plate
31	606 00 02 11	4	Screw-Tapping 10-24 x .375 (580 RS, 580 RSE, 580 RSW)
32	606 00 01 78	1	Guide-Plate (580 RS, 580 RSE, 580 RSW)
33	606 00 02 14	1	Friction Wheel Assembly
Key # 33 was a friction wheel assembly which had a rubber ring on a plastic hub. The plastic hub in NLA from the supplier. The replacement is a complete assembly with new brackets and a new friction wheel. (Dec 2008)			
34	606 00 02 05	1	Nut-Hex .31-18
35	606 00 01 99	1	Washer-Locking .312 x .097 Heavy
36	606 00 02 03	1	Washer Flat-Steel .328 x .875 x .062
37	606 00 01 65	1	Friction Sheave
38	606 00 01 88	2	Bearing-Ball .625 x 1.375 x .43
39	606 00 02 00	1	Washer- Flat-Steel 1.062 x 1.344 x .032
40	606 00 01 66	1	Spindle Bearing
41	606 00 01 67	1	Bearing Retainer
42	606 00 01 97	1	Bolt-Round Head Square Neck .31-18 x 1.75 Grade 5 (600 C)
43	606 00 01 95	3	Bolt-Hex .25-20 x .50 Grade 5 (600 C)
44	606 00 01 82	1	Friction Disc (600 C)
45	606 00 01 71	1	Friction Wheel Hub (600 C)
46	606 00 00 49	3	Nut-Locking-Center .25-20 (600 C)
47	606 00 01 70	1	Bearing Plate (600 C)
48	606 00 01 69	1	Bearing Retainer (600 C)
49	606 00 01 86	1	Bearing Ball 1.00 x 2.00 x .56 (600 C)
50	606 00 01 58	1	Bearing Retainer (600 C)
51	606 00 00 92	4	Screw-Tapping 12-24 x .50 Hex Washer Head
52	606 00 01 91	1	Ring-Retaining - External 1.00 x .042 (600 C)
53	606 00 01 57	2	Fitting-Lube .25-28 x .256 (580 RSW, 600 C)
54	606 00 01 89	2	Ring-Retaining-External .579 x .930
55	606 00 01 79	1	Friction Ring (580 RS, 580 RSE, 580 RSW)
56	606 00 01 76	1	Friction Wheel Hub (580 RS, 580 RSE, 580 RSW)

* Available as individual components or part of 606 00 02 71 Service Kit which consists of (2) 606 00 01 88, (1) 606 00 01 84, (2) 606 00 01 85 and (2) 606 00 01 22.